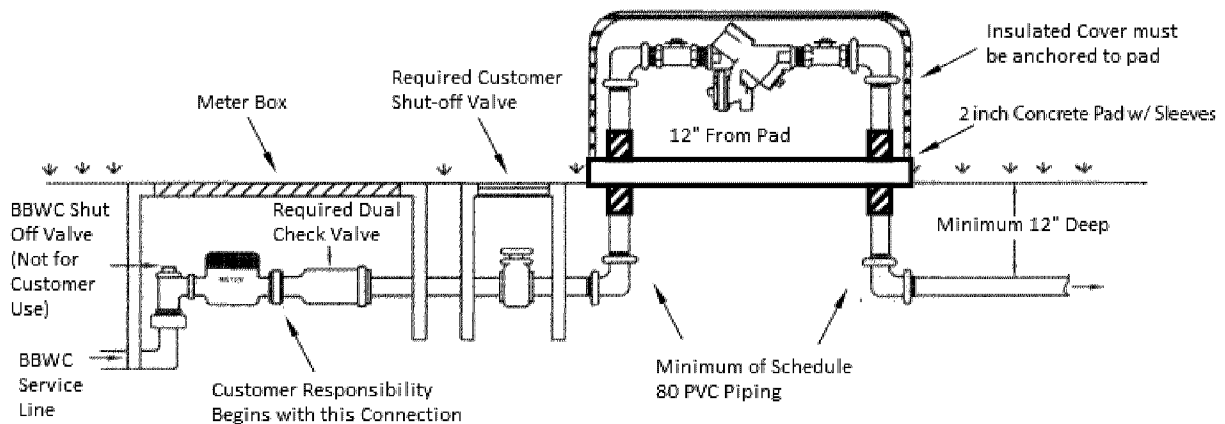


Bogue Banks Water Corporation Hookup Guide Reduced Pressure Zone (RPZ) Installation



BBWC Customers are encouraged to use a shallow well for irrigation purposes.

Bogue Banks Water has the following requirements for RPZ installations:

- The Dual Check must remain attached to the meter and in working order
- A working customer valve with a handle/wheel in a separate box is required before the RPZ
- Main line shall be a minimum of 12" inches deep before and after installation of the RPZ
- A 2" thick concrete pad with sleeves must be poured as a base for the installation
- The release valve of the RPZ must be 12" above the concrete pad
- An Insulated Cover must be installed and anchored down to the concrete pad
- Insulated Cover must have a hinged door to allow water to escape
- Schedule 80 or Rigid Metallic Piping must be used on the RPZ installation coming out and going into the ground
- Bypasses are not allowed
- Quick-connect couplings are not allowed
- RPZ's must be one of the two following models:
 - o Wilkins 975XL2
 - o Watts LF009M2QT
- BBWC highly recommends the installation of a second customer valve just before the main water line enters the home

A BBWC technician will inspect the installation for the above requirements prior to conducting the required RPZ initial test. The initial test will not be performed until the installation is correct by the standards set above. Failure to install the RPZ device may result in delayed water service.